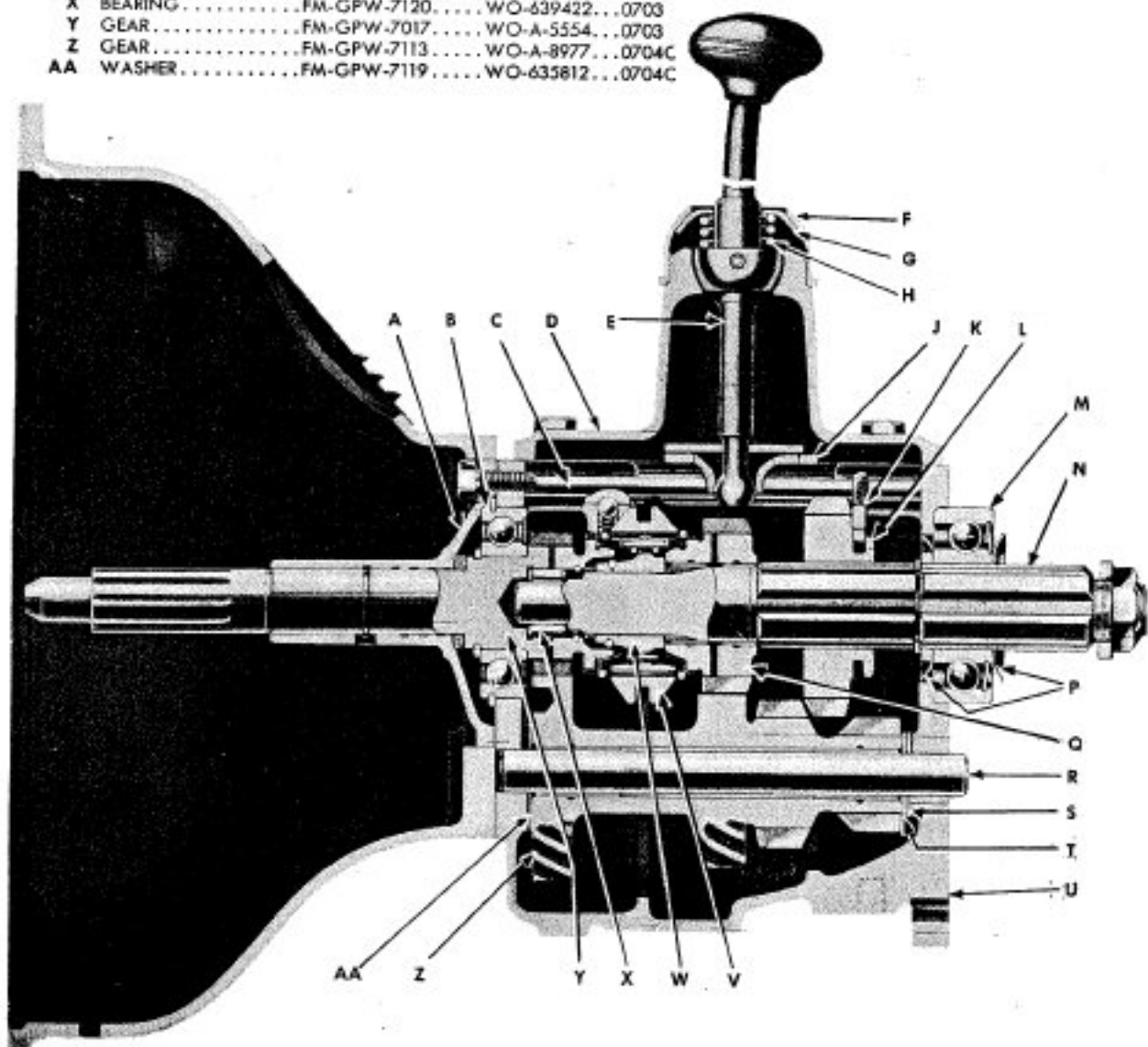


Key	Part Name	Ford Part No.	Willys Part No.	Group No.
A	RETAINER	FM-GPW-7050	WO-640017	.0703
B	BEARING	FM-GPW-7025-A	WO-636885	.0703
C	RAIL	FM-GPW-7240	WO-A-1156	.0706B
D	HOUSING, assembly	FM-GPW-7204	WO-635857	.0706A
E	LEVER, assembly	FM-GPW-7210-A	WO-A-1380	.0706A
F	CAP	FM-BB-7220	WO-A-1379	.0706A
G	WASHER	FM-BB-7228	WO-635863	.0706A
H	SPRING	FM-GPW-7227	WO-392328	.0706A
J	PLATE	FM-GPW-7211-B	WO-A-7260	.0706A
K	FORK	FM-GPW-7231	WO-636197	.0706C
L	GEAR	FM-GPW-7100	WO-636879	.0704
M	BEARING	FM-GP-7065	WO-A-916	.0704
N	SHAFT	FM-GPW-7061	WO-A-519	.0704
P	WASHER	FM-GPW-7080	WO-A-410	.0704
Q	GEAR	FM-GPW-7102	WO-638798	.0704
R	COUNTERSHAFT	FM-GPW-7111	WO-638948	.0704C
S	WASHER	FM-GPW-7126	WO-A-879	.0704C
T	WASHER	FM-GPW-7129-A	WO-635811	.0704C
U	CASE, assembly	FM-GPW-7005	WO-A-1148	.0701
V	SLEEVE	FM-GPW-7106	WO-637833	.0704
W	HUB	FM-GPW-7105	WO-A-6319	.0704
X	BEARING	FM-GPW-7120	WO-639422	.0703
Y	GEAR	FM-GPW-7017	WO-A-5554	.0703
Z	GEAR	FM-GPW-7113	WO-A-8977	.0704C
AA	WASHER	FM-GPW-7119	WO-635812	.0704C



RA PD 342283

FIGURE 07-1—TRANSMISSION ASSEMBLY—SECTIONAL VIEW

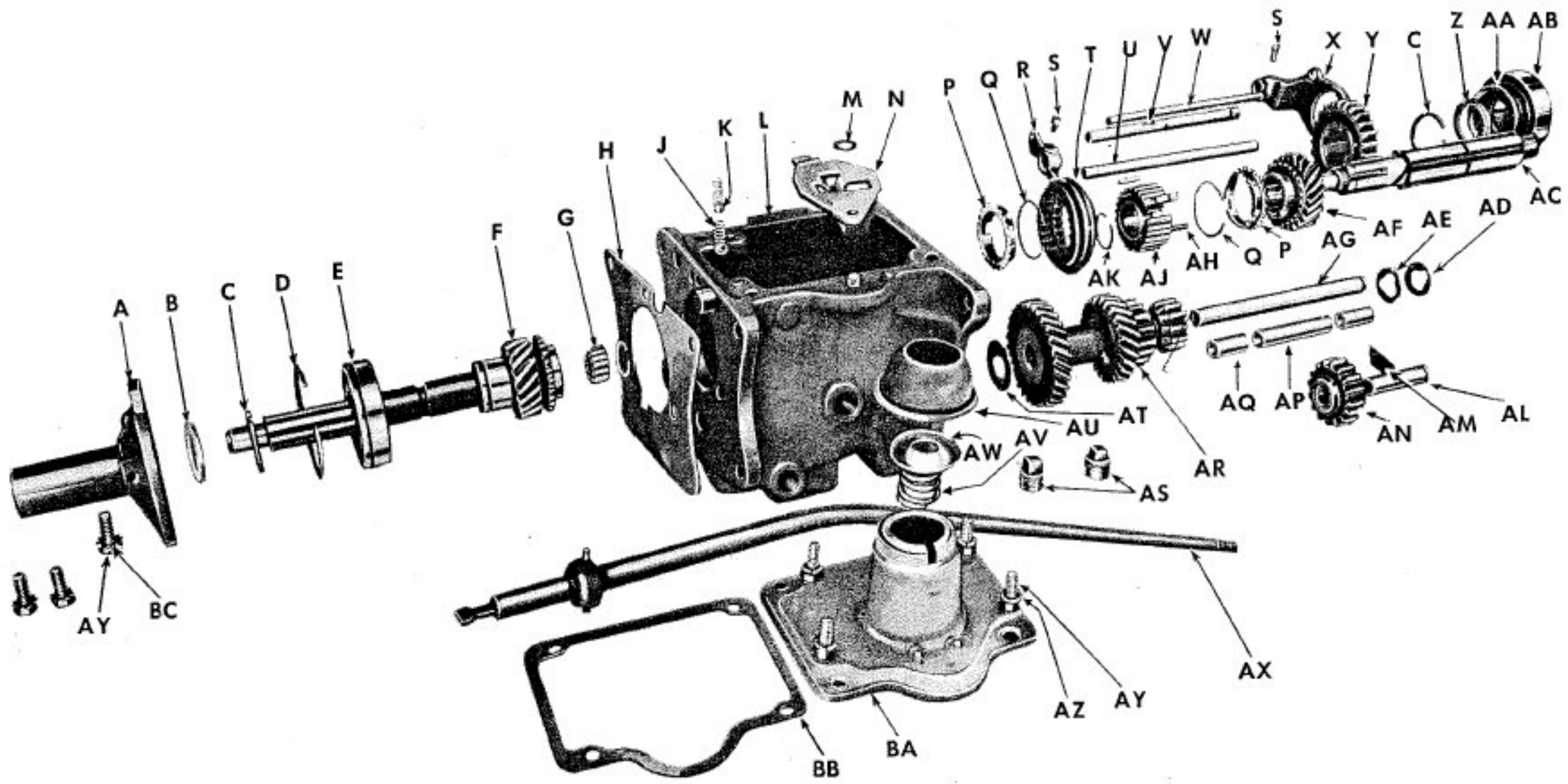


FIGURE 07-2—TRANSMISSION ASSEMBLY—EXPLODED VIEW

Key	Part Name	Ford Part No.	Willys Part No.	Group No.	Key	Part Name	Ford Part No.	Willys Part No.	Group No.
A	RETAINER	FM-GPW-7050	WO-640017	0703	AC	SHAFT	FM-GPW-7061	WO-A-519	0704
B	OIL SEAL	FM-GPW-7052	WO-640018	0703	AD	WASHER	FM-GPW-7126	WO-A-879	0704C
C	SNAP RING	FM-GPW-7064	WO-635844	0703	AE	WASHER	FM-GPW-7129-A	WO-635811	0704C
D	SNAP RING	FM-B-7070	WO-635846	0703	AF	GEAR	FM-GPW-7102	WO-638798	0704
E	BEARING	FM-GPW-7025-A	WO-636885	0703	AG	COUNTERSHAFT	FM-GPW-7111	WO-638948	0704C
F	GEAR	FM-GPW-7017	WO-A-5554	0703	AH	PLATE	FM-GPW-7116	WO-637832	0704
G	BEARING	FM-GPW-7120	WO-639422	0703	AJ	HUB	FM-GPW-7105	WO-A-6319	0704
H	GASKET	FM-GPW-7051-B	WO-637495	0701	AK	SNAP RING	FM-GPW-7059	WO-637835	0704
J	SPRING	FM-GPW-7234	WO-635837	0706B	AL	SHAFT	FM-GPW-7140	WO-638952	0704C
K	BALL	FM-353081-S	WO-635838	0706B	AM	PLATE	FM-GPW-7155	WO-638949	0704C
L	CASE, assembly	FM-GPW-7005	WO-A-1148	0701	AN	GEAR	FM-GPW-7141	WO-636882	0704C
M	SPRING	FM-GPW-7208	WO-635839	0706A	AP	SPACER	FM-GPW-7115	WO-A-880	0704C
N	PLATE	FM-GPW-7211-B	WO-A-7260	0706A	AQ	BUSHING	FM-GPW-7121	WO-A-878	0704C
P	RING	FM-GPW-7107	WO-637834	0704	AR	GEAR	FM-GPW-7113	WO-A-8977	0704C
Q	SPRING	FM-GPW-7109	WO-637831	0704	AS	PLUG	FM-353064	WO-5140	0701
R	FORK	FM-GPW-7230	WO-636196	0706C	AT	WASHER	FM-GPW-7119	WO-635812	0704C
S	SCREW	FM-GPW-7245	WO-636200	0706C	AU	CAP	FM-BB-7220	WO-A-1379	0706A
T	SLEEVE	FM-GPW-7106	WO-637833	0704	AV	SPRING	FM-GPW-7227	WO-392328	0706A
U	RAIL	FM-GPW-7241	WO-A-1155	0706B	AW	WASHER	FM-BB-7228	WO-635863	0706A
V	RAIL	FM-GPW-7240	WO-A-1156	0706B	AX	LEVER	FM-GPW-7210-A	WO-A-1380	0706A
W	PIN	FM-GPW-7206	WO-635836	0706C	AY	BOLT	FM-20366-S	WO-6428	0706A
X	FORK	FM-GPW-7231	WO-636197	0706C	AZ	WASHER	FM-34806-S7	WO-51833	0706A
Y	GEAR	FM-GPW-7100	WO-636879	0704	BA	HOUSING, assembly	FM-GPW-7204	WO-635857	0706A
Z	SPACER	FM-GPW-7062	WO-A-738	0704	BB	GASKET	FM-GPW-7223	WO-635861	0706A
AA	WASHER	FM-GPW-7080	WO-A-410	0704	BC	WASHER	FM-34941-S7	WO-53029	0703
AB	BEARING	FM-GP-7065	WO-A-916	0704					

RA PD 342287A

FIGURE 07-2A—LEGEND FOR 07-2—TRANSMISSION ASSEMBLY—EXPLODED VIEW

GROUP 07—TRANSMISSION

0700-0703

Figure Number	Official Stock Number	Piece Mark or Part Number		I T E M	Quant. Reqd. per Unit Assy.	Unit Price
		Ford No.	Willys No.			
Col. 1	Col. 2	Col. 3	Col. 4	Col. 5	Col. 6	Col. 7
GROUP 07—TRANSMISSION						
0700—TRANSMISSION ASSEMBLY						
01-1	9410-AS2-T-84-J	FM-GPW-7000 FM-24489-S FM-355597-S FM-24409-S7 G518-7001420 H001-1518009	WO-A-7596 WO-A-1145 WO-52379 WO-630101 WO-6606 WO-52542 WO-5010	TRANSMISSION, w/release BEARING, assembly (includes: clutch release BEARING, clutch bearing CARRIER, clutch bearing carrier SPRING, clutch control LEVER, clutch control lever CABLE)..... TRANSMISSION, w/gear shift LEVER, assembly (WG-AS2-T-84-J)..... BOLT, hex-hd., S., 3/8-24NF-2 x 1 1/8..... BOLT, hex-hd., S., 3/8-24NF-2 x 2 1/8 (dowel)..... BOLT, hex-hd., S., cd-pltd., 3/8-24NF-2 x 1 1/8..... NUT, reg., hex., S., cd-pltd., 3/8-24NF-2..... WASHER, lock, S., SAE std., 3/8 in.....	1 1 2 2 4 8 8	47.26
0701—CASE						
07-1, 2	9410-AT-84J-1A	FM-GPW-7005-A FM-GPW-7005	WO-A-1148	CASE, transmission..... CASE, transmission, assembly (WG-T-84J-1A) (includes: oil retaining CUP and countershaft washer PIN).....	1 1	8.31
07-2	9410-T-84D-14C	FM-GPW-7051-B	WO-637495	GASKET, transmission case to flywheel housing (Victorite, 0.015 thk.) (WG-T84D-14C) (also in GASKET SET, FM-GPW-18356-B, WO-A-7832).....	1	
	3320-GPW-18356	FM-GPW-18356	WO-A-1542	GASKET SET, transmission (superseded by GASKET SET, FM-GPW-18356-B, WO-A-7832)..... (Consists of: 1 GASKET, gearshift lever housing 1 GASKET, main drive gear bearing retainer 1 GASKET, transmission to transfer case)	1	
	3320-GPW-18356-B	FM-GPW-7223 FM-GPW-7051-B FM-GPW-7756 FM-GPW-18356-B	WO-635861 WO-637495 WO-A-1435 WO-A-7832	GASKET SET, transmission (supersedes GASKET SET, FM-GPW-18356, WO-A-1542) (Consists of: 1 GASKET, case to flywheel housing 1 GASKET, gearshift lever housing 1 OIL SEAL, main gear bearing retainer 1 PACKING, gearshift lever housing)	1	
07-2		FM-GPW-7051-B FM-GPW-7223 FM-GPW-7052 FM-GPW-7207 FM-353064-S	WO-637495 WO-635861 WO-640018 WO-635862 WO-5140	PLUG, drain and filler, transmission (pipe, sq-hd., I., 1/2 in.).....	2	.0125
0703—MAIN DRIVE GEAR AND BEARINGS						
	H012-1340035	FM-GPW-7025		BEARING, transmission main drive gear (FB-1207-GF) (superseded by BEARING, FM-GPW-7025-A, WO-636885).....	1	1.19

SNL G-503

128

07-1, 2	H012-1340035	FM-GPW-7025-A	WO-636885	BEARING, ball, annular, single row, single oil shield, snap ring groove (2.834 O.D. x 1.378 I.D.) (transmission main drive gear) (FB-1207-MGF) (WG-X-3204-ML) (supersedes BEARING, FM-GPW-7025).....	1	
07-1, 2	9410-T-84G-26	FM-GPW-7120	WO-639422	BEARING, roller, S., spherical end type, 0.527 lgth. x 0.1875 diam. (transmission main drive gear pilot) (BN-C-1110-Q) (WG-T-84G-26).....	13	.0033
07-1, 2	9410-T-84J-16A	FM-GPW-7017	WO-A-5554	GEAR, main drive, transmission (S., 17 teeth, 2.048 O.D.) (WG-T-84J-16A).....	1	4.94
	3320-GPW-7015	FM-GPW-7015	WO-A-5553	GEAR, main drive, transmission, w/BEARINGS, assembly (WG-AT-84J-16A).....	1	6.304
07-2	9410-T-84J-54	FM-GPW-7052	WO-640018	OIL SEAL, transmission main drive gear bearing retainer (WG-T-84J-54) (also in GASKET SET, FM-GPW-18356-B, WO-A-7832).....	1	.0047
07-1, 2	9410-T-84J-6	FM-GPW-7050	WO-640017	RETAINER, transmission main drive gear bearing (WG-T-84J-6).....	1	1.19
	H001-1013018	FM-20366-S	WO-6428	BOLT, hex-hd., S., $\frac{5}{16}$ -18NC-2 x $\frac{1}{8}$ (GM-106325).....	3	
07-2		FM-34941-S7	WO-53029	WASHER, lock, S., cd-pltd., external tooth, flat type, $\frac{5}{16}$ in.....	3	.0019
07-2	9410-T-84-17	FM-GPW-7064	WO-635844	SNAP RING, transmission main drive gear (1 $\frac{3}{32}$ in. I.D.) (WG-T-84-17).....	1	.0192
07-2	G104-1769814	FM-B-7070	WO-635846	SNAP RING, transmission main drive gear bearing (2 $\frac{1}{16}$ in. I.D.) (WG-B-7070).....	1	.0217
	9410-T-84G-25	FM-GPW-7063	WO-639423	SNAP RING, transmission main drive gear pilot roller bearing (1.062 O.D.) (WG-T-84G-25).....	1	.0018
0704—MAIN SHAFT, GEARS AND BEARINGS						
07-1, 2	H012-1314035	FM-GP-7065	WO-A-916	BEARING, ball, annular, single row, 1.378 bore, 3.1496 O.D., 0.8268 width (transmission main shaft, rear end) (MRC-307) (SKF-6307-Z) (ND-7607).....	1	1.45
	9410-T-84C-19	FM-GPW-7104	WO-635820	BUSHING, transmission main shaft second speed gear (superseded by BUSHING, FM-GPW-7104-A, WO-640006).....	1	.0448
		FM-GPW-7104-A	WO-640006	BUSHING, transmission main shaft second speed gear (WG-T-84C-19) (supersedes BUSHING, FM-GPW-7104, WO-635820).....	1	
07-1, 2	9410-T-84F-12A	FM-GPW-7100	WO-636879	GEAR, sliding, transmission main shaft, low and reverse (3.265 O.D. x 1 $\frac{1}{4}$ thk., 25 teeth) (WG-T-84F-12A).....	1	1.89
07-1, 2	9410-T-84F-11A	FM-GPW-7102	WO-638798	GEAR, transmission main shaft, second speed, w/BUSHING, assembly (2.090 O.D., 24 teeth) (WG-T-84F-11A).....	1	2.79
07-1, 2	9410-T-84J-2 $\frac{1}{2}$	FM-GPW-7105	WO-A-6319	HUB, transmission main shaft second and high speed clutch (WG-T-84J-2 $\frac{1}{2}$).....	1	1.906
		FM-GPW-7082	WO-A-15428 *	OIL SEAL, transmission main shaft (Note 1).....	1	
07-2	9410-T-84F-13	FM-GPW-7116	WO-637832	PLATE, shifting, transmission main shaft synchronizer (WG-T-84F-13).....	3	.0039
07-2	9410-T-84F-14	FM-GPW-7107	WO-637834	RING, blocking, transmission main shaft synchronizer (WG-T-84F-14).....	2	.424
07-1, 2	9410-T-84H-2	FM-GPW-7061	WO-A-519	SHAFT, main, transmission (dld. f/c-pin) (WG-T-84F-12).....	1	3.44
			WO-A-518	SHAFT, main, transmission, w/GEARS, assembly.....	1	
	9410-1AT-84H-2	FM-GPW-7060	WO-A-6317	SHAFT, main, transmission, w/GEARS, and blocking RING, assembly (WG-1AT-84H-2).....	1	11.47
07-1, 2	9410-T-84F-15	FM-GPW-7106	WO-637833	SLEEVE, transmission main shaft second and high speed clutch (WG-T-84F-15).....	1	1.564
07-2	9410-4886	FM-GPW-7059	WO-637835	SNAP RING, transmission main shaft second and high speed clutch hub (1 $\frac{1}{32}$ in. I.D.) (WG-4686).....	1	.0124
07-2	3320-GPW-7062	FM-GPW-7062	WO-A-738	SPACER, transmission main shaft bearing (WG-T-84J-28).....	1	.0885
		FM-GPW-7062-B	A-15427	SPACER, transmission main shaft bearing (Note 1).....	1	
07-2	9410-4682-K	FM-GPW-7109	WO-637831	SPRING, transmission main shaft synchronizer (WG-4682-K).....	2	.0036
		FM-GPW-7124	WO-A-6318	SYNCHRONIZER, transmission main shaft, w/blocking RING, assembly (WG-1AT-84J-2 $\frac{1}{2}$).....	1	3.54
07-1, 2; 08-1, 2	9410-T-84H-137	FM-GPW-7080	WO-A-410	WASHER, oil retaining, transmission main shaft (WG-T-184H-137).....	2	.0143

Note 1—Used in only transmission with raised "H" on case near filler hole.

GROUP 07—TRANSMISSION (Cont'd)

Figure Number	Official Stock Number	Piece Mark or Part Number		ITEM	Quant. Req'd. per Unit Assy.	Unit Price
		Ford No.	Willys No.			
Col. 1	Col. 2	Col. 3	Col. 4	Col. 5	Col. 6	Col. 7
0704C—COUNTERSHAFT AND REVERSE IDLER SHAFTS, GEARS AND BEARINGS						
07-2	9410-T-84J-187 9410-T-84-85A	FM-GPW-7121 FM-GPW-7143	WO-A-878	BUSHING, transmission countershaft gear (WG-T-84J-167).....	2	.166
				BUSHING, transmission reverse idler gear (superseded by BUSHING, FM-GPW-7143-A, WO-635804).....	1	.045
	9410-T-84-85A	FM-GPW-7143-A	WO-635804	BUSHING, transmission reverse idler gear (WG-T-84-85A) (supersedes BUSHING, FM-GPW-7143).....	1	
07-1, 2	9410-T-84G-J3	FM-GPW-7111	WO-638948 WO-A-739	COUNTERSHAFT, transmission (WT-T-84G-J3).....	1	.619
				GEAR, cluster, transmission countershaft, w/BUSHING and SPACER, assembly (WG-AT-84F-8).....	1	
07-1, 2	9410-T-84J-8	FM-GPW-7113	WO-A-8977	GEAR, cluster, transmission countershaft.....	1	6.47
07-2	9410-AT-84F-10A	FM-GPW-7141	WO-636882	GEAR, transmission reverse idler, w/BUSHING, assembly (O.D. 2.167 x 0.996 thk., 16 teeth) (WG-AT-84F-10A).....	1	1.63
	9410-T-84J-31	FM-357417-S	WO-A-524	PIN, transmission countershaft washer (WG-T-84J-31).....	1	.0167
07-2	9410-T-84G-48	FM-GPW-7155	WO-638949	PLATE, lock, transmission countershaft and reverse idler shaft (WG-T-84G-48).....	1	.0197
07-2	9410-T-84G-J35	FM-GPW-7140	WO-638952	SHAFT, transmission reverse idler gear (WG-T-84G-J35).....	1	.195
07-2	9410-T-84G-28	FM-GPW-7115	WO-A-880	SPACER, transmission countershaft gear bushing (WG-T-84J-28).....	1	.126
07-1, 2	9410-T-84B-30A 9410-T-84-29	FM-GPW-7119 FM-GPW-7129	WO-635812	WASHER, thrust, transmission countershaft, front (WG-T-84B-30A).....	1	.0318
				WASHER, thrust, transmission countershaft, rear (superseded by WASHER, FM-GPW-7129-A, WO-635811).....	1	.0432
07-1, 2	9410-T-84-29	FM-GPW-7129-A	WO-635811	WASHER, thrust, transmission countershaft, rear (bz.) (WG-T-84-29) (supersedes WASHER, FM-GPW-7129).....	1	
07-1, 2	9410-T-84J-29	FM-GPW-7126	WO-A-879	WASHER, thrust, transmission countershaft, rear (S.) (WG-T-84J-29).....	1	.101
0706A—GEARSHIFT LEVER AND PARTS						
	9410-C8-2 $\frac{1}{2}$	FM-GPW-7217	WO-A-1381	BALL, fulcrum, transmission gearshift lever (WG-C8-2 $\frac{1}{2}$).....	1	
	8080-39Q20	FM-GPW-7213	WO-A-971	BALL, transmission gearshift lever (rubber).....	1	
07-1, 2	9410-4496K	FM-BB-7220 FM-GPW-1111286-A3	WO-A-1379 WO-A-3783	CAP, transmission gearshift lever housing (WG-4496-K).....	1	.0833
				COVER, transmission gearshift lever housing (rubber).....	1	.285
07-2	9410-T-84-115	FM-GPW-7223	WO-635861	GASKET, transmission gearshift lever housing (WG-T-84-115) (also in GASKET SET, FM-GPW-18356-B, WO-A-7832).....	1	.006
07-1, 2	9410-T-84A-148	FM-GPW-7204	WO-635857	HOUSING, transmission gearshift lever, assembly (includes: PLATES and RIVET)	1	2,183
07-2	H001-1013018	FM-20366-S	WO-6428	BOLT, hex-hd., S., $\frac{5}{16}$ -18NC-2 x $\frac{1}{8}$ (GM-106325).....	4	
07-2	H001-7025711	FM-34806-S7	WO-51833	WASHER, lock, S., cd-pltd., SAE std., $\frac{5}{16}$ in.....	4	
	9410-AC-84J-2A	FM-GPW-7210		LEVER, transmission gearshift.....	1	

01-1; 07-1, 2; 18-1		FM-GPW-7210-A	WO-A-1380	LEVER, transmission gearshift, assembly (WG-AC-84J-2A).....	1	1.42
	9410-4611	FM-GPW-7207	WO-635862	PACKING, transmission gearshift lever housing (also in GASKET SET, FM-GPW-18356-B, WO-A-7832).....	1	.0041
	9410-T-84-30	FM-357418-S	WO-635840	PIN, fulcrum, transmission gearshift lever guide plate (WG-T-84-30).....	1	.0508
	9410-C-84B-12A	FM-GPW-7221	WO-A-1382	PIN, transmission gearshift lever fulcrum ball (WG-C-84B-12A).....	1	.0559
	9410-T-84B-32	FM-GPW-7214	WO-635859	PLATE, guide, transmission gearshift lever (WG-T-84B-32) (superseded by PLATE, FM-GPW-7211-B, WO-A-7260).....	1	.0585
	9410-T-84B-25		WO-635841	PLATE, guide, transmission gearshift lever (superseded by PLATE, FM-GPW-7211-B, WO-A-7260).....	1	
	3320-GPW-7216	FM-GPW-7216	WO-A-7261	PLATE, guide, transmission gearshift lever (superseded by PLATE, FM-GPW-7211-B, WO-A-7260).....	1	
07-1, 2		FM-GPW-7211-B	WO-A-7260	PLATE, guide, transmission gearshift lever (WG-AT-84I-25) (supersedes PLATE, FM-GPW-7214, WO-635859 and WO-635841, and FM-GPW-7216, WO-A-7261).....	1	.538
		FM-62216-S	WO-635860	RIVET, S., fl-hd., $\frac{3}{16}$ x $\frac{7}{16}$ (transmission gearshift lever housing) (WG-X-3089BH)	2	
07-2	9410-T-84-31	FM-GPW-7208	WO-635839	SPRING, transmission gearshift lever guide plate (WG-T-84-31).....	1	.0163
07-1, 2	9410-4498K	FM-GPW-7227	WO-392328	SPRING, support, transmission gearshift lever (WG-4498K).....	1	.0274
07-1, 2	9410-4497	FM-BB-7228	WO-635863	WASHER, transmission gearshift lever housing cap (WG-4497).....	1	.03
0706B—GEARSHIFT RAILS AND PARTS						
07-2	9410-X2136	FM-353081-S	WO-635838	BALL, poppet, transmission gearshift rail (S., $\frac{3}{16}$ O.D.) (WG-X-2136).....	2	
	9410-4684	FM-GPW-7056	WO-637503	CUP, oil retaining, transmission second and high speed gearshift rail.....	1	.094
	9410-T-84J-86A	FM-GPW-7233	WO-A-1385	PLUNGER, transmission gearshift rail interlock (WG-84J-86A).....	1	.0663
07-1, 2	9410-T-84J-21A	FM-GPW-7240	WO-A-1156	RAIL, shift, transmission low speed and reverse gear (WG-T-84J-21).....	1	.619
07-2	9410-T-84J-20A	FM-GPW-7241	WO-A-1155	RAIL, shift, transmission second and high speed gear (WG-T-84J-20A).....	1	.733
07-2	9410-T-84-42	FM-GPW-7234	WO-635837	SPRING, transmission gearshift rail poppet ball (WG-T-84-42).....	2	.0096
0706C—GEARSHIFT FORKS						
07-1, 2	9410-T-84C-24A	FM-GPW-7231	WO-636197	FORK, shift, transmission low speed and reverse gear (WG-T-84C-24A).....	1	1.091
07-2	9410-T-84C-23A	FM-GPW-7230	WO-636196	FORK, shift, transmission second and high speed gear (WG-T-84C-23A).....	1	.847
07-2	9410-T-8422	FM-GPW-7206	WO-635836	PIN, guide, transmission gearshift fork (WG-T-84-22).....	1	.123
07-2	G503-7002601	FM-GPW-7245	WO-636200	SCREW, lock, transmission gearshift fork (WG-4418-M).....	2	.0347